

Mechanical specifications

Engine type	4.0L DOHC DI-VCT I6		EcoLPi DOHC DI-VCT I6	4.0L DOHC DI-VCT TURBO I6	
Applicable models	Falcon Ute, XR6		Falcon Ute, XR6	XR6 Turbo	
Engine size (cc)	3984		3984	3984	
Compression ratio	10.3:1		12:1	8.8:1	
Maximum power (DIN)	195kW @ 6000rpm		198kW @ 5000rpm	270kW @ 5250rpm ¹	
Maximum torque (DIN)	391Nm @ 3250rpm		409Nm @ 3250rpm	533Nm @ 2000rpm – 4750rpm ¹	
No. of valves			24		
Bore x stroke			92.25 x 99.31mm		
Fuel management system	Sequential multipoint electronic fuel injection		Liquid phase injection	Sequential multipoint electronic fuel injection	
Engine management	Powertrain control module incorporating electronic throttle control				
Transmission ratios	6-speed manual	6-speed auto	6-speed auto	6-speed manual	6-speed auto
1st	3.36	4.17	4.17	2.98	4.17
2nd	2.07	2.34	2.34	1.78	2.34
3rd	1.35	1.52	1.52	1.30	1.52
4th	1.00	1.14	1.14	1.00	1.14
5th	0.71	0.87	0.87	0.71	0.87
6th	0.57	0.69	0.69	0.55	0.69
Reverse	3.28	3.40	3.40	2.90	3.40
Differential	Manual	Auto	Auto	Manual	Auto
Drive ratio	3.45:1	2.73:1	2.73:1	3.73:1	2.73:1
Fuel					
Fuel tank capacity (L)	81		86	81	
Recommended fuel	ULP or PULP E10 compatible		LPG only	ULP or PULP E10 compatible	
Electrical/clutch					
Battery			54Ah		
Clutch type (manual only)	Self-adjusting diaphragm		–	Self-adjusting diaphragm	
Diameter (manual only)	254mm		–	290mm	
Maximum braked towing capacity ²					
Manual	1200Kg ^{3,4}		–	1600Kg ^{3,4}	
Automatic			2300Kg ^{4,5}		
Brakes					
Front brakes	Standard vented disc brakes with twin piston caliper (performance brakes on XR6 Turbo)				
Rear brakes	Standard solid disc brake with single piston caliper				
Anti-lock Braking System (ABS)	ABS with Electronic Brakeforce Distribution (EBD)				
Dynamic Stability Control (DSC)	Dynamic Stability Control (DSC) incorporates Emergency Brake Assist (EBA) and ABS with Electronic Brakeforce Distribution (EBD)				

Specifications and options

Exterior dimensions (mm)	Falcon Ute C/C ⁶	Falcon Ute SSB	XR6 C/C ⁶	XR6 SSB	XR6 Turbo SSB
Overall length	5391	5105	5397	5130	5130
Overall width ⁷	1897	1934	1897	1934	1934
Wheelbase	3104	3104	3104	3104	3104
Front track	1583	1583	1583	1583	1583
Rear track	1583	1583	1583	1583	1583
Front overhang	951	951	957	957	957
Rear overhang	1336	1050	1336	1069	1069
Interior dimensions (mm)					
Front headroom	1026	1026	1026	1026	1026
Front legroom	1073	1073	1073	1073	1073
Front shoulder room	1523	1523	1523	1523	1523
Front hiproom	1486	1486	1486	1486	1486
Luggage volume behind seats (L)	235	235	235	235	235
Cargo dimensions (mm)					
Suspension type	1-tonne	¾-tonne	1-tonne	Sports	Sports
Floor level load length	2209	1843	1843	2209	1843
Belt level load length	2209	1843	1843	2209	1843
Wheelhouse cargo width	1804	1224	1224	1804	1173
Tailgate opening width	1804	1356	1356	1804	1356
Liftover height	969	728	789	835	688
Cargo depth	240	442	442	240	442

1. Power and torque figures measured using premium unleaded fuel (95 RON). 2. Figures quoted are for braked trailers. Subject to State and Territory regulations. 3. When fitted with Genuine Ford towbar. Subject to state and territory regulations. 4. Towball download and rear axle limits must not be exceeded. Please refer to your Ford Dealer for advice. 5. When fitted with a Genuine Ford heavy duty towpack and load levelling kit. Subject to state and territory regulations. 6. Cab Chassis dimensions quoted with optional factory fitted tray. 7. Excludes exterior side mirrors. 8. Kerb mass and payload maximum values are approximate only. Kerb mass quoted includes full tank of fuel, without occupants or luggage/cargo and with all standard equipment (plus automatic climate control where not standard). 9. Payload (maximum) = GVM (Gross Vehicle Mass) minus the kerb mass. 10. Payload is defined as the combined value inclusive of occupants, cargo, added options, additional structures and towball download when towing. 11. For petrol engine with optional automatic transmission, add 5kg to kerb mass. For optional EcoLPi engine, add 72kg to kerb mass.

Specifications and options (continued)

Vehicle masses ⁸⁻¹⁵ . (kg)	Falcon Ute C/C ⁶		Falcon Ute SSB		XR6 C/C ⁶		XR6 SSB	XR6 Turbo SSB
Suspension type	1-tonne	¾-tonne	1-tonne	Sports	1-tonne	Sports		Sports
GVM	2820	2510	2820	2325	2820	2325		2355
Kerb mass (petrol engine and manual transmission)	1606	1747	1757	1600	1615	1765		1810
Kerb mass (EcoLPI engine)	1653	1818	–	1660	–	1825		–
Payload (maximum) (manual)	1214	763	1063	725	1205	560		545
Front axle load (maximum)	1165	1165	1165	1165	1165	1165		1165
Rear axle load (maximum)	1700	1380	1700	1240	1700	1240		1240
Tailgate load rating (maximum)	–	500	500	–	–	500		500
GCM								
- 1200kg towing	3900	3590	3900	3405	3900	3405		3435
- 1600kg towing	4260	3950	4260	3765	4260	3765		3795
- 2300kg towing	4890	4580	4890	4395	4890	4395		4425
Minimum turning circle (m)								
Diameter (kerb-to-kerb)	11.8	11.8	11.8	11.8	11.8	11.8		11.8
Engine and transmission								
4.0L DOHC DI-VCT I6	S		S		S		S	–
6-speed manual transmission	S		S		S		S	–
ZF 6-speed automatic transmission with sequential sports shift	O		O		O		O	–
ZF 6-speed automatic column shift transmission ¹⁶	O		O		–		–	–
4.0L DOHC DI-VCT TURBO I6	–		–		–		–	S
6-speed manual transmission	–		–		–		–	S
ZF 6-speed automatic transmission with sequential sports shift	–		–		–		–	O
EcoLPI 4.0L DOHC DI-VCT I6 (Dedicated LPG)	O		O		O ¹⁷		O ¹⁷	–
ZF 6-speed automatic transmission with sequential sports shift	S		S		S		S	–
ZF 6-speed automatic column shift transmission ¹⁶	O		O		–		–	–
Ride and handling								
Virtual Pivot Control Link front suspension	S		S		S		S	S
Hotchkiss rear suspension	S		S		S		S	S
¾-tonne suspension	–		S		–		–	–
1-tonne suspension	S		O		O		–	–
Sports suspension	–		–		S		S	S
Limited Slip Differential (LSD)	S ¹⁸ /O ¹⁹		S ¹⁸ /O ¹⁹		S		S	S
16" x 6.5" silver steel wheel (rated 1-tonne) ²⁰	S		S		–		–	–
16" x 7" 5-spoke alloy wheel (rated 1-tonne) ²⁰	A ²¹		A ²¹		O ²²		–	–
215/60 R16 (1-tonne) tyres	S		O ²²		O ²²		–	–
215/60 R16 tyres	–		S		–		–	–
18" x 8" XR 10-spoke alloy wheels - 245/40 R18 tyres ²⁰	–		–		S		S	S
19" x 8" XR 10-spoke alloy wheel - 245/35 R19 tyres ²⁰	–		–		–		P	P
Steel spare wheel ²³	S		S		S		S	S
Exterior								
Prestige paint	O		O		O		O	O
Projector headlamps	–		–		S		S	S
XR front bumper	–		–		S		S	S
Alloy sports bar	–		–		–		S	S
Sports side skirts	–		–		S		S	S
Sports rear bumper	–		–		–		S	S
Fog lamps	–		–		S		S	S
Body colour mirrors	–		–		S		S	S
Wiring facility for cargo lamp	S		S		S		S	S
Cargo bedliner	–		S		–		S	S
Flush fit soft tonneau cover	–		A		–		S	S
Aluminium tray	O		–		O		–	–
Adjustable tie-down hooks	–		S		–		S	S
Instrumentation and controls								
Human Machine Interface (HMI) with Interior Command Centre (ICC) with monochrome display	S		S		–		–	–
Human Machine Interface (HMI) with Premium Interior Command Centre (ICC) with 8" colour touch screen	O		O		S		S	S
Multi-function display including distance to empty, average speed, outside air temperature, average fuel consumption, speed warning	S		S		S		S	S

S = Standard. O = Optional. P = Part of optional pack. – = Not available. A = Accessory available at any time.

12. When optional 19" wheels and tyres specified, reduce GVM, payload and rear axle load maximum by 70kg. 13. When optional factory aluminium trays specified, add 120kg to kerb mass. 14. Front and rear axle load limits must not be individually exceeded. The combined weight of the fully loaded vehicle and trailer must not exceed the GCM. GVM must not be exceeded. 15. Refer to Owner's Manual for full vehicle mass details. 16. 4-way power driver's seat not available with automatic column shift. 17. Optional EcoLPI engine increase front ride by 25mm when sports suspension is specified. 18. Standard on Falcon Ute with manual transmission. 19. Optional on Falcon Ute with automatic transmission. 20. Set of four. 21. Wheels and tyres sold separately when Dealer fit. 22. When optional 1-tonne suspension is specified. 23. Vehicles fitted with 16"/17" wheels come with a 16" steel spare wheel. Vehicles fitted with 18"/19" wheels come with a 17" steel spare wheel. Vehicles with 1-tonne suspension come with a 1-tonne rated steel spare wheel. If spare wheel, rim or tyre size differs from the other wheels fitted, the vehicle should be driven with caution and the standard wheel and tyre fitted as soon as possible.

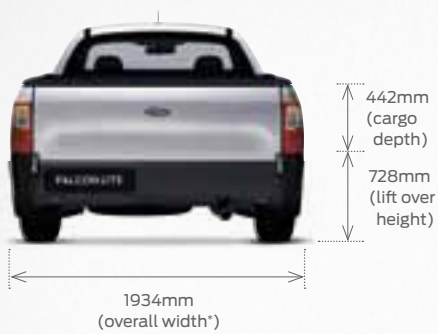
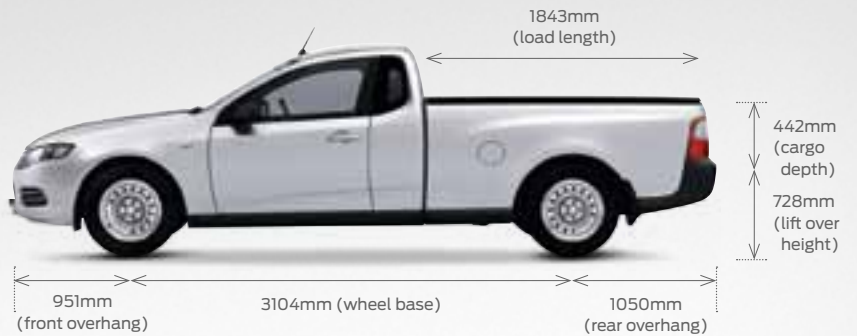
Specifications and options (continued)

Instrumentation and controls (continued)	Falcon Ute C/C	Falcon Ute SSB	XR6 C/C	XR6 SSB	XR6 Turbo SSB
Cruise control with steering wheel mounted controls	S	S	S	S	S
Steering wheel mounted audio controls	S	S	S	S	S
Sports leather wrapped steering wheel	-	-	S	S	S
Comfort and convenience					
Single-zone automatic climate control	O	O	S	S	S
Dual-zone automatic climate control	-	-	-	P	P
Power windows	S	S	S	S	S
Automatic headlamps ON/OFF feature	S	S	S	S	S
Power adjustable side mirrors	S	S	S	S	S
Alloy pedal covers	-	-	S	S	S
Carpet floor covering	S	S	S	S	S
Driver/passenger reading lamps	S	S	S	S	S
Centre console bin with lid ²⁵	S	S	S	S	S
Lockable glove box	S	S	S	S	S
Remote keyless entry	S	S	S	S	S
Seating					
Cloth trim seats	S	S	-	-	-
Fixed centre seat with lap/sash seatbelt ²⁶	O	O	-	-	-
Cloth trim sports seats	-	-	S	S	S
Leather trim sports seats	-	-	O	O/P	O/P
4-way power driver's seat ²⁵	S	S	S	S	S
Adjustable driver's seat lumbar support	S	S	S	S	S
Adjustable passenger's seat lumbar support	-	-	S	S	S
Quick-tilt forward seats	S	S	S	S	S
Audio and communication					
Standard audio system with monochrome display, AM/FM radio, single slot CD and 2 speakers	S	S	-	-	-
Prestige audio system with 8" colour touch screen, AM/FM radio, single slot CD and 6 speakers (total 112 watts)	O	O	S	S	S
Premium audio system with AM/FM radio, single slot CD and 8 speakers (total 112 watts)	-	-	-	P	P
MP3 CD capability	S	S	S	S	S
3.5mm auxiliary audio input	S	S	S	S	S
Bluetooth® mobile phone integration ²⁷	S	S	S	S	S
iPod integration ²⁸	S	S	S	S	S
USB integration	S	S	S	S	S
Satellite Navigation	-	-	-	P	P
Safety and security					
Intelligent Safety System	S	S	S	S	S
Driver and front passenger airbags	S	S	S	S	S
Side head/thorax airbags	S	S	S	S	S
Pyrotechnic seatbelt buckle pretensioners	S	S	S	S	S
Advanced restraints module	S	S	S	S	S
Crash severity sensor	S	S	S	S	S
Driver's seat position sensor	S	S	S	S	S
Beltminder™ system	S	S	S	S	S
Dynamic Stability Control incorporating: Traction Control, Emergency Brake Assist (EBA), Anti-lock Braking System (ABS) and Electronic Brakeforce Distribution (EBD)	S	S	S	S	S
Driver fatigue warning	S	S	S	S	S
Central locking	S	S	S	S	S
Towing					
Towbar - 1600kg rated	O ²⁹ /A	O ²⁹ /A	O ²⁹ /A	O ²⁹ /A	O ²⁹ /A
Optional packs					
XR Luxury Pack					
Leather trim sports seats, satellite navigation with Suna Traffic Channel ²⁷ , 19" x 8" 5 spoke alloy wheels with 245/35 R19 tyres ³⁰ , dual-zone automatic climate control and premium audio system with 8 speakers	-	-	-	O	O

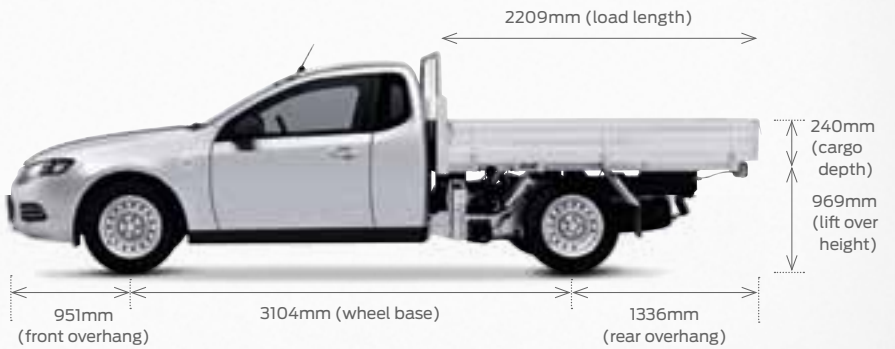
S = Standard. O = Optional. P = Part of optional pack. - = Not available. A = Accessory available at any time.

²⁵ Not available with optional automatic column shift transmission. ²⁶ Must specify optional automatic column shift transmission. ²⁷ Bluetooth® is a registered trademark of Bluetooth SIG Inc., and is used under licence. Customers should consult their Ford Dealer on the ability of their mobile phone handset to integrate with the Bluetooth® system prior to making a purchase decision. ²⁸ iPod is a trademark of Apple Inc. Please refer to www.ford.com.au for iPod compatibility. ²⁹ Towball sold separately when factory fitted. ³⁰ Vehicle must be fitted with Bluetooth®. Ford has an arrangement to provide the Suna Traffic Channel broadcast for a minimum of 5 years from the time of vehicle manufacture. Coverage includes Melbourne, Sydney, Brisbane, Adelaide, Perth and Gold Coast metropolitan areas. Refer to www.sunatrafic.com.au for full details.

Styleside Box



Cab Chassis



*Excludes side mirrors.